



**Bridge rectifier, with integrated surge protection
switchable on the DC side**

The bridge rectifier was specially developed for inductive loads that are to be switched on the AC or DC side. Thanks to its internal protective circuit, the four rectifier diodes are effectively protected both against mains-operated voltage peaks and against switch-off peaks of inductors on the DC voltage side.

A varistor connected in parallel to the load ensures that the freewheeling current from switched-off inductors can only flow up to the response value of the varistor, which means that the response is almost instantaneous, e.g. electromagnetic brakes on electric motors, is ensured.

When switching on the AC side, terminals 5 + 6 must be bridged.

Technical Specifications:

order data

Nominal current I_N

Max. nominal voltage V_{RMS}

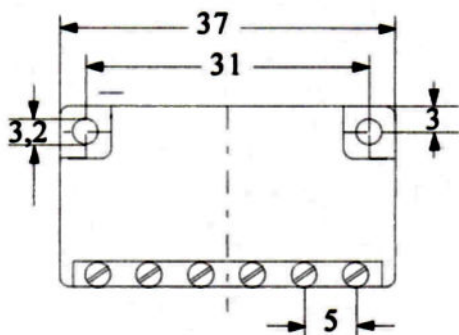
Periodic peak voltage

Surge current (not periodic)

ambient temperature

GB250AC1000S GB400AC1000S GB500AC1000S	GB400AC2000S	GB400AC3000S
1A TU=60°C 250V,400V,500V 1600V	2A TU=60°C 400V 2000V	3A TU=60°C 400V 2000V
30A TU -25...80°C		

Nominal voltage $V_{RMS} \times 0.89 =$ nominal DC voltage V_{dN}



Housing color: black

