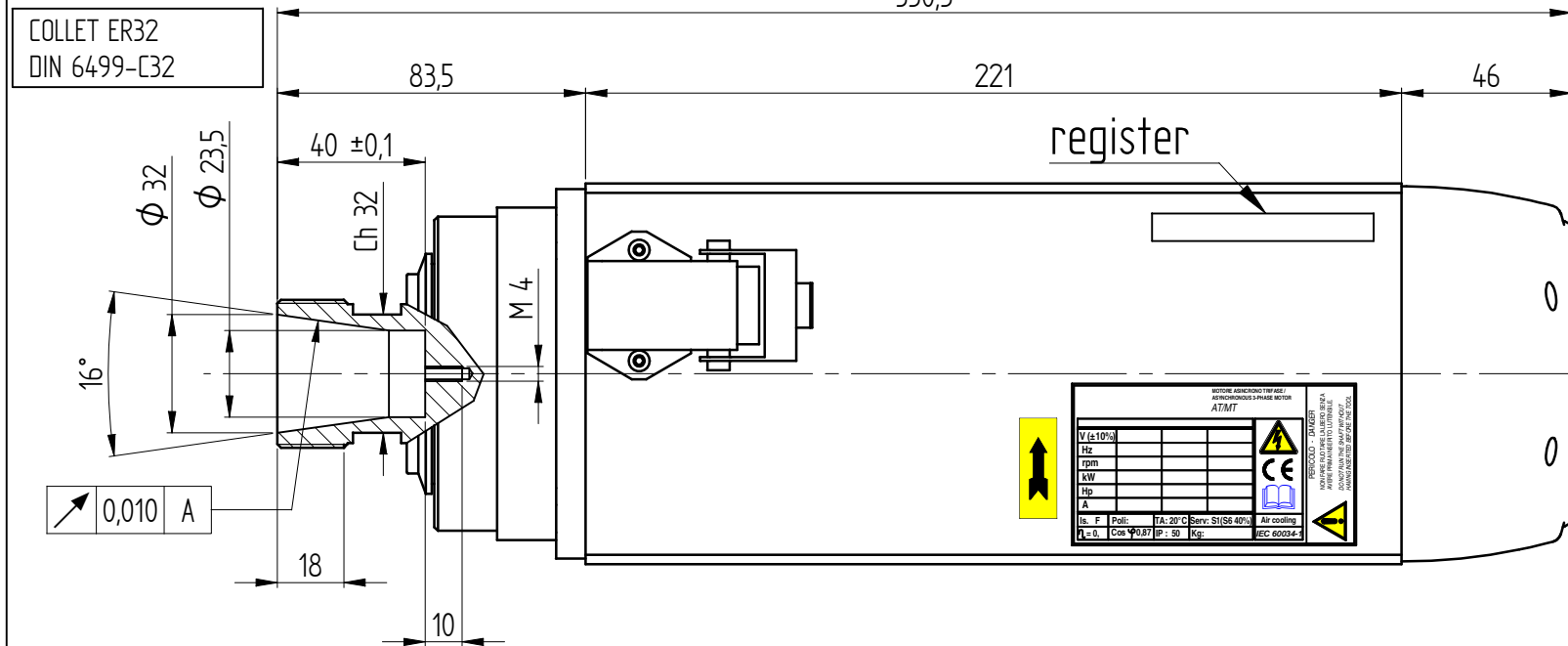


CUT



ELECTRIC CONNECTIONS	
Nr. Pin	Description
1	U Motor phase
2	V Motor phase
3	W Motor phase
4	** Bi-metallic
5	** Bi-metallic
⊕	Earth connection

** See "User's guide" for technical informations

PERFORMANCES AND MOTOR RATINGS	
Power [W]	4000
Current [A]	12,6 (15,5)
Frequency [Hz]	300
rpm	18000
Torque [Nm]	3,18 (3,82)
Efficiency	0,82
Power factor	0,86
Poles	2
Service type	S1 (S6 40%)
Insulation class	F
Cooling	forced cooling
Weight [Kg]	13,3
Type of Protection	IP 50

www.elektromotoren.de		10/01/08		L.B.
REV.		DATA	FIRMA	A3
DATA	18/12/03	SCALA	1:2	UNI-ISO 22768-1f 22768-2H
FIRMA		PESO		
MATERIALE		GREZZO DI		
TRATTAMENTO TERMICO		SOSTITUISCE		
RIVESTIMENTO SUPERFICIALE				
F029_A#14823_Y6162Y0028_MT1090-140-ER32-380V-DX-18-18000-6,00KW				Y6162Y0028