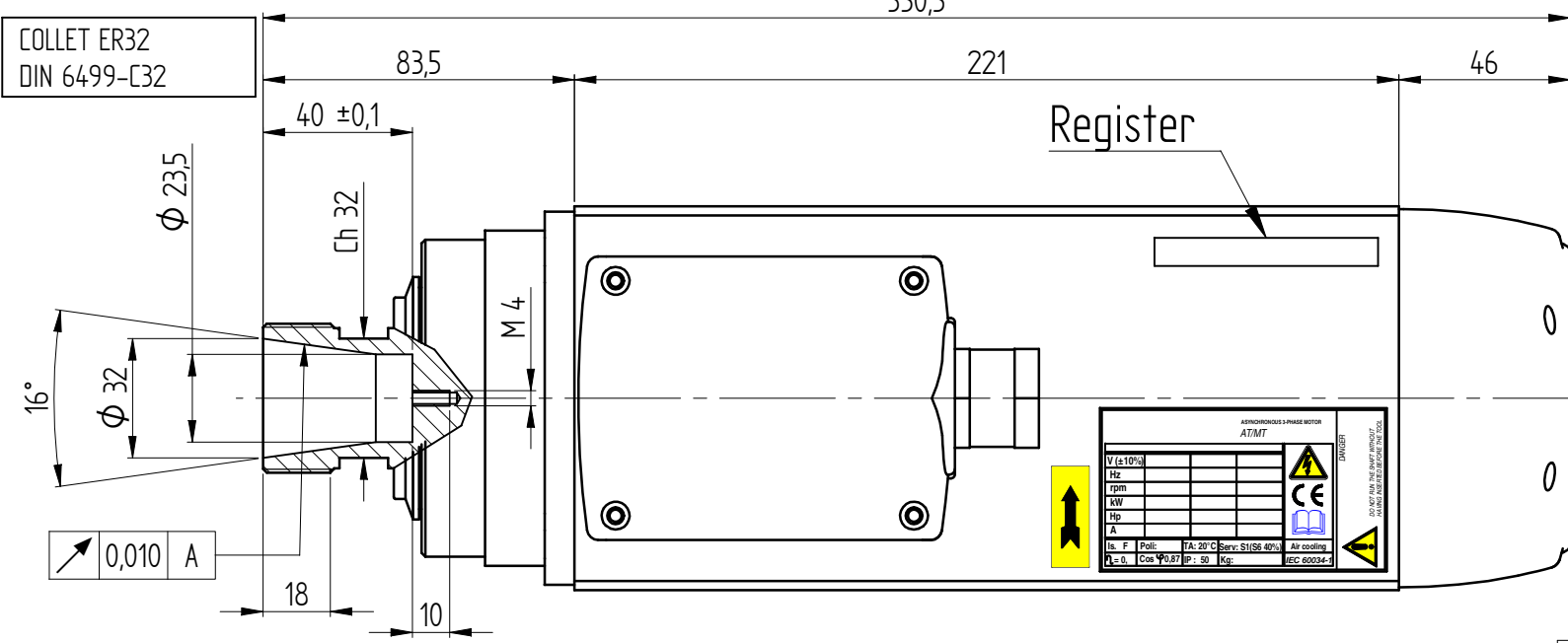


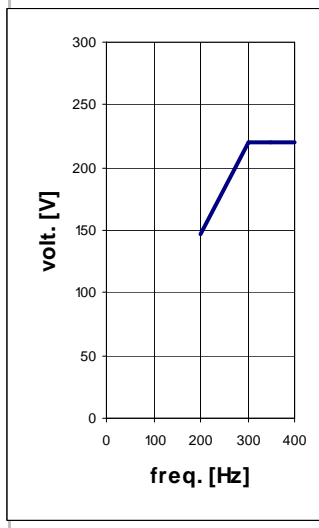
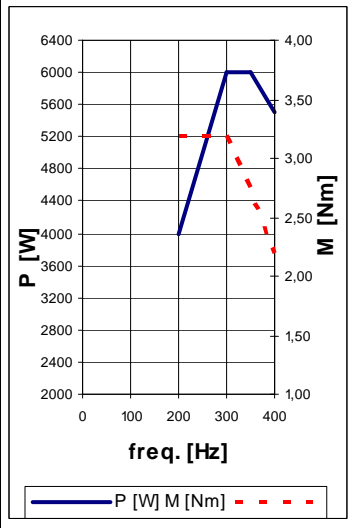
Drilling section



ELECTRIC CONNECTIONS	
Nr.	P in Description
1	U Motor phase
2	V Motor phase
3	W Motor phase
4	** Bi-metallic
5	** Bi-metallic
	Earth connection

** See "User's guide" for technical informations

PERFORMANCES AND MOTOR RATINGS	
Output Power	6 (7,2) 6 (7,2) 5,5 (6,5)
Current	21,8 (26,8) 21,8 (26,8) 20,8 (24,2)
Frequency	300 350 400
rpm	18000 21000 24000
Torque	3,18 (3,82) 2,73 (3,276) 2,19 (2,59)
Front Bearing	ceramic ceramic ceramic
Post. Bearing	radial radial radial
Efficiency	0,82
Power factor	0,86
Poles	2
Service type	S1 (S6 40%)
Insulation class	F
Cooling	Forced air
Weight	10
Type of Protection	IP 50



www.elektromoren.de

REV. DATA FIRMA

1:2

A3

Y6162Y0032

A#15670_MT1090-140-ER32-220V-DX-18/24000-6KW S1