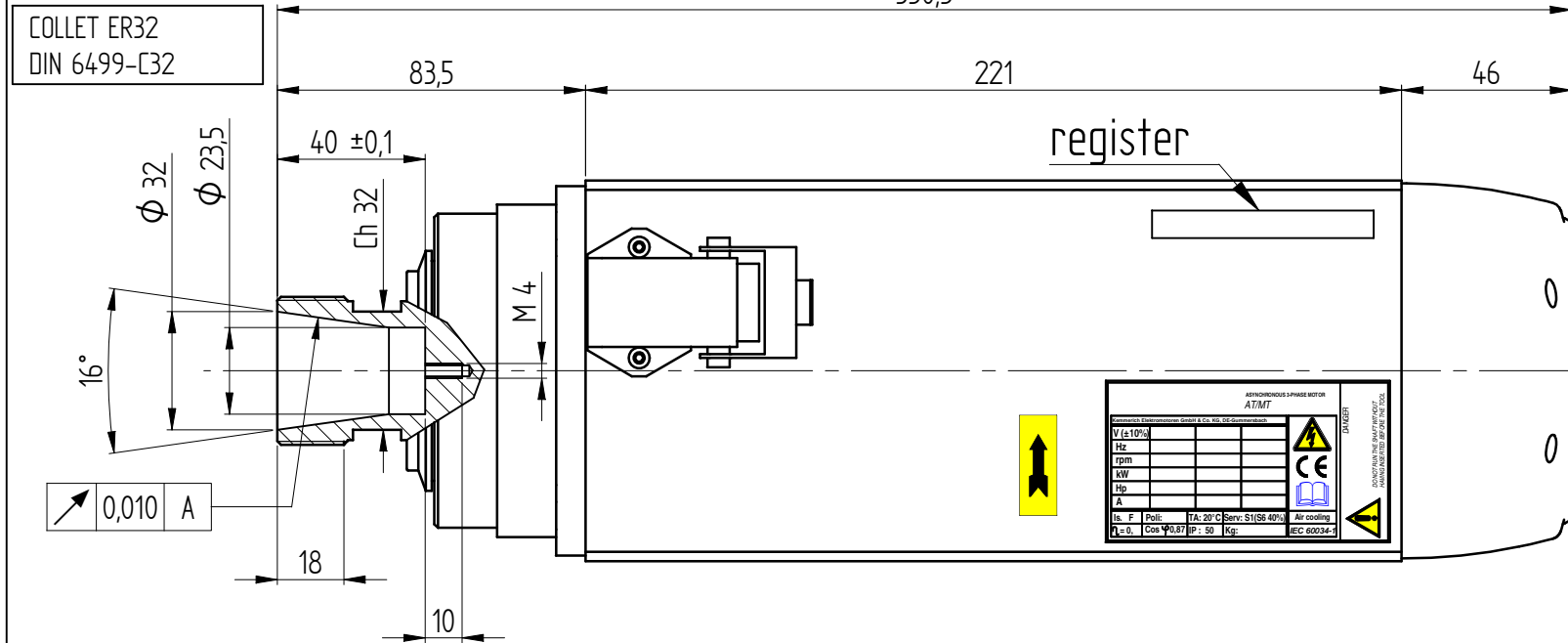


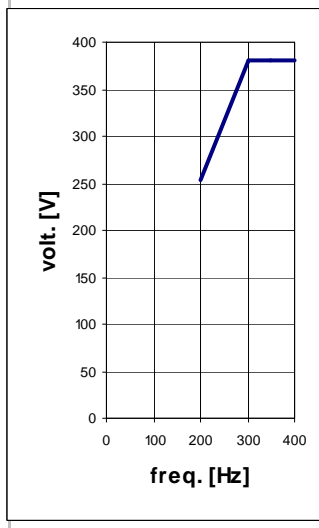
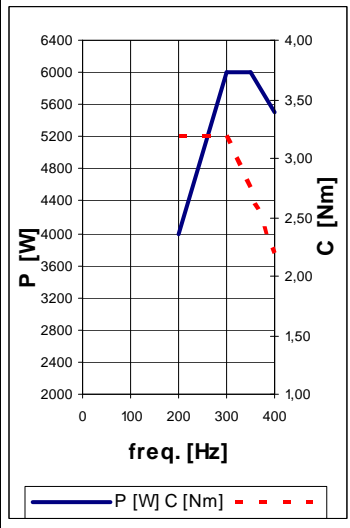
CUT



ELECTRIC CONNECTIONS	
Nr. Pin	Description
1	U Motor phase
2	V Motor phase
3	W Motor phase
4	** Bi-metallic
5	** Bi-metallic
⊕	Earth connection

** See "User's guide" for technical informations

PERFORMANCES AND MOTOR RATINGS	
Output Power	6 (7,2) 6 (7,2) 5,5 (6,5)
Current	12,6 (15,5) 12,6 (15,5) 12 (14)
Frequency	300 350 400
rpm	18000 21000 24000
Torque	3,18 (3,82) 2,73 (3,276) 2,19 (2,59)
Front Bearing	ceramic ceramic ceramic
Post. Bearing	radial radial radial
Efficiency	0,82
Power factor	0,86
Poles	2
Service type	S1 (S6 40%)
Cooling	F
Weight	10
Type of Protection	50



www.elektromotoren.de

REV.	DATA	FIRMA	L.B.	A3
SCALE:	1:2			
DATA			22768-1f	UNI-ISO 22768-2H
FIRMA				
F029_A#12353_Y6162Y0029_MT1090-140-ER32-380V-DX-18-24000_6,00KW			Y6162Y0029	