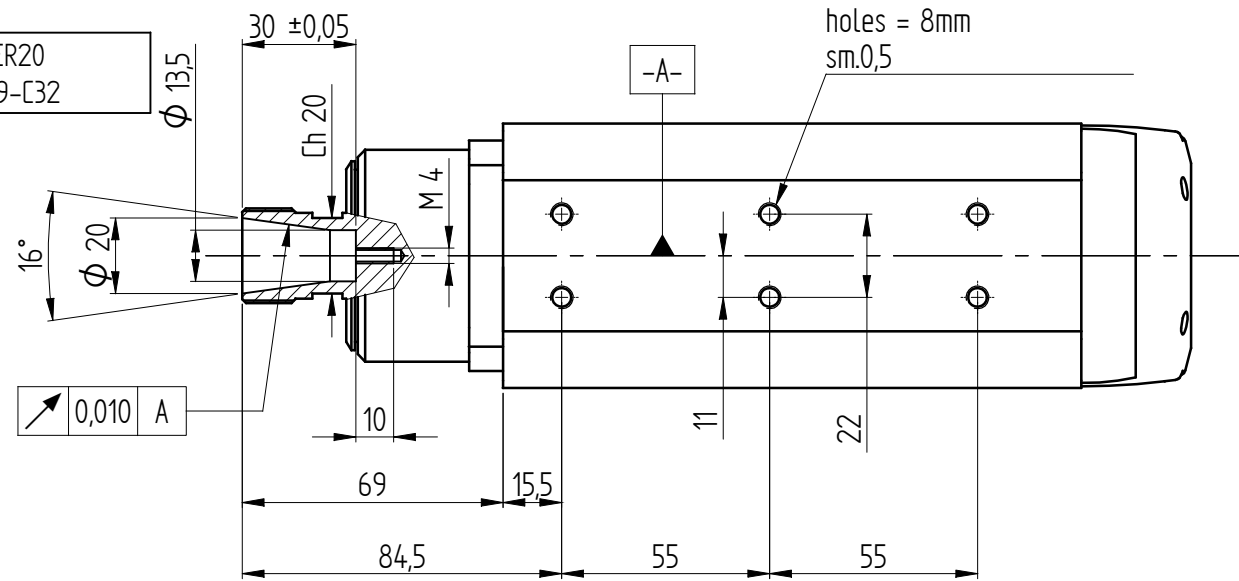


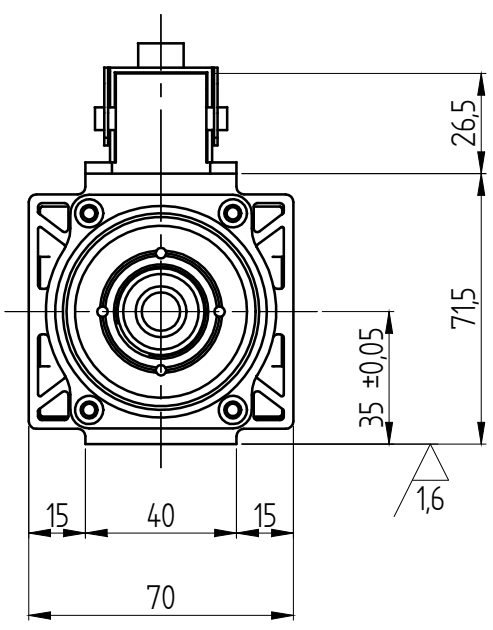
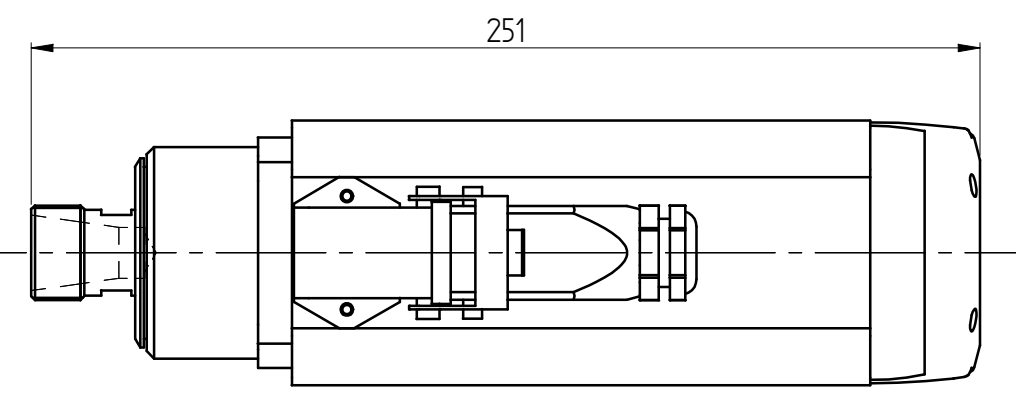
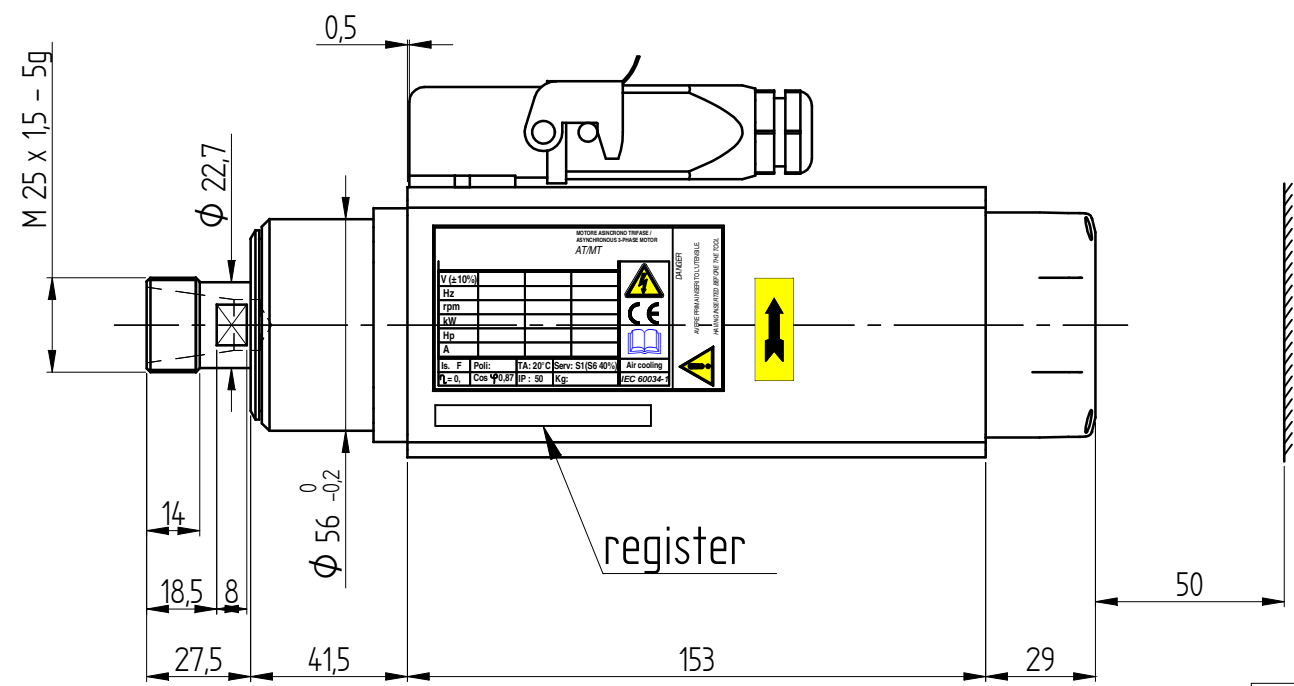
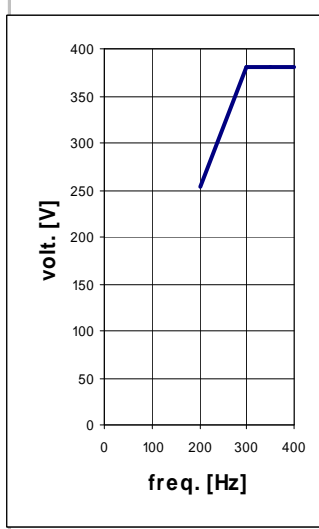
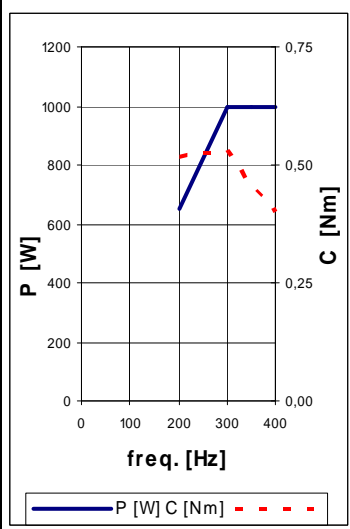
COLLET ER20
DIN 6499-C32



M6-6H per n°6 threaded holes
thread= 6 mm
holes = 8mm
sm.0,5

PERFORMANCES AND MOTOR RATINGS

Voltage	V ±10%	380	380	380
Output Power	kW	1 (1,3)	1 (1,3)	1 (1,3)
Current	A	3,2 (4,2)	3,2 (4,2)	3,2 (4,2)
Frequency	Hz	300	350	400
rpm	rpm	18000	21000	24000
Torque	Nm	0,53 (0,69)	0,45 (0,59)	0,4 (0,52)
Front Bearing	angular contact bearings			
Post. Bearing	radial			
Efficiency	η	0,65		
Power factor	cos ϕ	0,75		
Poles	2			
Service type	S1 (S6 40%)			
Insulation class	F			
Cooling	forced cooling			
Weight	Kg	3,5		
Type of Protection	IP	50		



ELECTRIC CONNECTIONS

Nr. Pin	Description
1	U Fase / Motor phase
2	V Fase / Motor phase
3	W Fase / Motor phase
4	** Bi-metallic
5	** Bi-metallic
⊕	Earth connection

** See "User's guide" for technical informations

1	REV.	10/01/08	L.B.		
		DATA	FIRMA		
		1:2			
DATA	18/02/06	18/02/06		22768-1f	22768-2H
FIRMA					
				1	
					Y6162Y0003

... 01/01/08