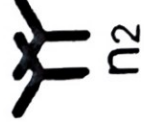
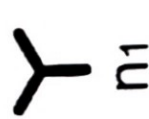
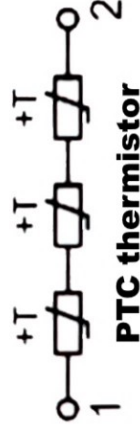
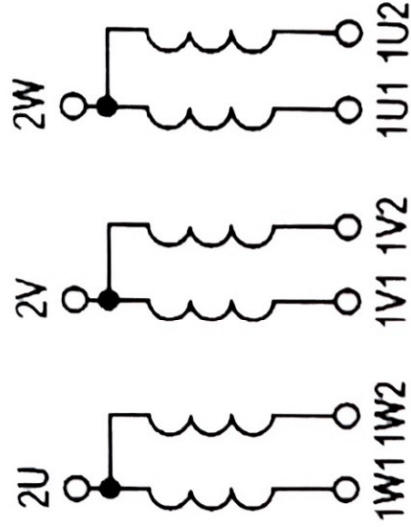


Connection

- Basic version: delta/double star

- Fan version: Star/double star



$n_1 < n_2$

