

230V 50HZ

JLY Single phase motors with running capacitors

Type	Output(HP)		Current (A)	Speed (r/min)	Eff (%)	Power factor	$\frac{T_s}{T_n}$	$\frac{T_{max}}{T_n}$	$\frac{I_s}{I_n}$	Capacity (UF)	Moment j (kgm ²)
	kW	HP									
JLY561-2	0.09	0.12	0.7	2720	55	0.90	0.60	1.7	3.6	10	0.00010
JLY562-2	0.12	0.18	1.0	2720	55	0.90	0.60	1.7	3.6	14	0.00012
JLY631-2	0.18	0.25	1.47	2760	60	0.92	0.66	1.7	3.7	10	0.000150
JLY632-2	0.25	0.37	1.91	2760	60	0.92	0.66	1.7	3.7	10	0.000163
JLY711-2	0.37	0.5	3.12	2800	65	0.92	0.71	1.7	3.7	16	0.000350
JLY712-2	0.55	0.75	3.63	2800	65	0.92	0.74	1.7	3.9	20	0.000460
JLY801-2	0.75	1	5.50	2810	67	0.92	0.75	1.7	3.9	25	0.000970
JLY802-2	1.1	1.5	7.52	2820	67	0.95	0.77	1.7	4.3	30	0.001090
JLY90S-2	1.5	2	10.75	2840	72	0.95	0.78	1.7	4.8	40	0.002690
JLY90L-2	2.2	3	13.10	2840	73	0.95	0.80	1.7	4.8	50	0.003080
JLY100L-2	3	4	16.8	2800	79	0.99	0.80	1.9	4.8	60	0.01260
JLY561-4	0.06	0.08	0.65	1360	55	0.90	0.61	1.7	3.1	5	0.00030
JLY562-4	0.09	0.12	0.85	1360	55	0.90	0.61	1.7	3.1	6.3	0.00040
JLY631-4	0.12	0.18	1.40	1340	60	0.9	0.68	1.7	3.2	8	0.000170
JLY632-4	0.18	0.25	1.52	1340	60	0.9	0.68	1.7	3.3	10	0.000230
JLY711-4	0.25	0.37	2.2	1370	62	0.92	0.73	1.7	3.4	12.5	0.000400
JLY712-4	0.37	0.5	2.80	1370	62	0.92	0.75	1.7	3.4	12.5	0.000570
JLY801-4	0.55	0.75	4.51	1400	63	0.92	0.78	1.7	3.5	20	0.001400
JLY802-4	0.75	1	5.2	1400	65	0.92	0.78	1.7	3.7	25	0.001600
JLY90S-4	1.1	1.5	8.85	1410	70	0.95	0.80	1.7	4	30	0.002830
JLY90L-4	1.5	2	9.51	1410	71	0.95	0.80	1.7	4.6	40	0.003590
JLY100L1-4	2.2	3	14.0	1420	79	0.85	0.82	1.9	4.8	50	0.00540
JLY100L2-4	3	4	16.7	1420	79	0.98	0.83	1.9	4.8	60	0.00670

JLC Single phase motors with starting capacitors

Type	Output(HP)		Current (A)	Speed (r/min)	Eff (%)	Power factor	$\frac{T_s}{T_n}$	$\frac{T_{max}}{T_n}$	$\frac{I_s}{I_n}$	Moment j (kgm ²)
	kW	HP								
JLC711-2	0.18	0.25	1.9	2750	60	0.72	3.0	1.8	6.30	0.000380
JLC712-2	0.25	0.37	2.4	2770	64	0.74	3.0	1.8	6.25	0.000450
JLC801-2	0.37	0.5	3.36	2800	65	0.77	2.8	1.8	6.25	0.000970
JLC802-2	0.55	0.75	4.65	2810	68	0.79	2.8	1.8	6.24	0.001100
JLC90S-2	0.75	1	6.1	2820	70	0.80	2.5	1.8	6.10	0.002800
JLC90L-2	1.1	1.5	8.7	2820	72	0.80	2.5	1.8	7.20	0.003200
JLC100A-2	1.5	2	11.5	2830	74	0.81	2.5	1.8	7.20	0.003610
JLC100B-2	2.2	3	16.4	2830	75	0.81	2.2	1.8	7.65	0.003820
JLC711-4	0.12	0.18	1.9	1350	50	0.58	3.0	1.8	4.80	0.000470
JLC712-4	0.18	0.25	2.5	1370	53	0.62	2.8	1.8	4.80	0.000530
JLC801-4	0.25	0.37	3.1	1400	58	0.63	2.8	1.8	4.80	0.001440
JLC802-4	0.37	0.5	4.2	1410	62	0.64	2.5	1.8	5.00	0.001660
JLC90S-4	0.55	0.75	5.55	1420	66	0.69	2.5	1.8	5.20	0.002760
JLC90L-4	0.75	1	6.77	1420	68	0.73	2.5	1.8	5.50	0.003580
JLC100A-4	1.1	1.5	9.5	1430	71	0.74	2.5	1.8	6.40	0.004900
JLC100B-4	1.5	2	12.5	1430	73	0.75	2.5	1.8	6.40	0.005350

220V 50HZ

JLL Single phase motors with double capacitors

Type	Output(HP)		Current (A)	Speed (r/min)	Eff (%)	Power factor	$\frac{T_s}{T_n}$	$\frac{T_{max}}{T_n}$	$\frac{I_s}{I_n}$	Moment j (kgm ²)
	kW	HP								
JLL711-2	0.37	0.50	2.64	2760	67.0	0.95	1.8	1.8	5.8	0.000610
JLL712-2	0.55	0.75	3.76	2780	70.0	0.95	1.8	1.8	5.4	0.000720
JLL801-2	0.75	1	4.98	2800	72.0	0.95	1.8	1.7	5.7	0.000970
JLL802-2	1.1	1.5	7.11	2800	74.0	0.95	1.8	1.7	5.6	0.001100
JLL90S-2	1.5	2	9.57	2800	75.0	0.95	1.7	1.7	6.0	0.002960
JLL90L-2	2.2	3	13.85	2800	76.0	0.95	1.7	1.7	6.2	0.003240
JLL100L1-2	3.0	4	18.40	2820	78.0	0.95	1.7	1.7	6.4	0.003930
JLL711-4	0.25	0.37	2.02	1360	61.0	0.92	1.8	1.8	6.0	0.000910
JLL712-4	0.37	0.55	2.81	1370	65.0	0.92	1.8	1.8	5.7	0.000100
JLL801-4	0.55	0.75	4.00	1400	68.0	0.92	1.8	1.7	5.4	0.001700
JLL802-4	0.75	1	5.13	1400	70.0	0.95	1.8	1.7	5.5	0.001960
JLL90S-4	1.1	1.5	7.41	1400	71.0	0.95	1.7	1.7	5.7	0.003050
JLL90L-4	1.5	2	9.83	1400	73.0	0.95	1.7	1.7	6.0	0.003890
JLL100L1-4	2.2	3	14.04	1410	75.0	0.95	1.7	1.7	6.1	0.005100
JLL100L1-4	3	4	18.64	1420	77.0	0.95	1.7	1.7	6.4	0.006300

MOUNTING AND OVERALL DIMENSIONS

JLY single phase motors with running capacitors

Frame	A	AA	AB	AC	AD	B	BB	C	D	DH	E	F	G	H	K	KK	L	M	N	P	S	T
56 63	100	24	135	130	115	80	115	40	11	M4 X 12	23	4	8.5	63	7	1-M20 X 1.5	217	115	95	140	10	3.0
71	112	26	150	145	120	90	125	45	14	M5 X 12	30	5	11.0	71	7	1-M20 X 1.5	245	130	110	160	10	3.5
80	125	35	165	175	145	100	135	50	19	M6 X 16	40	6	15.5	80	10	1-M25 X 1.5	300	165	130	200	12	3.5
90S	140	37	180	195	155	100	140	56	24	M8 X 19	50	8	20.0	90	10	1-M25 X 1.5	320	165	130	200	12	3.5
90L	140	37	180	195	155	125	165	56	24	M8 X 19	50	8	20.0	90	10	1-M25 X 1.5	350	165	130	200	12	3.5
100L	160	40	205	215	180	140	185	63	28	M10 X 22	60	8	24.0	100	12	1-M25 X 1.5	385	215	180	250	14.5	4.0

JLC single phase motors with starting capacitors

Frame	A	AA	AB	AC	AD	B	BB	C	D	DH	E	F	G	H	K	KK	L	M	N	P	S	T
71	112	26	150	145	120	90	125	45	14	M5 X 12	30	5	11	71	7	1-M20 X 1.5	245	130	110	160	10	3.5
80	125	35	165	175	145	100	135	50	19	M6 X 16	40	6	15.5	80	10	1-M25 X 1.5	300	165	130	200	12	3.5
90S	140	37	180	195	155	100	140	56	24	M8 X 19	50	8	20	90	10	1-M25 X 1.5	320	165	130	200	12	3.5
90L	140	37	180	195	155	125	165	56	24	M8 X 19	50	8	20	90	10	1-M25 X 1.5	350	165	130	200	12	3.5
100	160	40	205	215	180	140	185	63	28	M10 X 22	60	8	24	100	12	1-M25 X 1.5	385	215	180	250	14.5	4.0

JLL single phase motors with double capacitors

Frame	A	AA	AB	AC	AD	B	BB	C	D	DH	E	F	G	H	K	KK	L	M	N	P	S	T
71	112	26	150	145	120	90	125	45	14	M5 X 12	30	5	11.0	71	7	1-M20 X 1.5	245	130	110	160	10	3.5
80	125	35	165	175	145	100	135	50	19	M6 X 16	40	6	15.5	80	10	1-M25 X 1.5	300	165	130	200	12	3.5
90S	140	37	180	195	155	100	140	56	24	M8 X 19	50	8	20.0	90	10	1-M25 X 1.5	320	165	130	200	12	3.5
90L	140	37	180	195	155	125	165	56	24	M8 X 19	50	8	20.0	90	10	1-M25 X 1.5	350	165	130	200	12	3.5
100	160	40	205	215	180	140	185	63	28	M10 X 22	60	8	24.0	100	12	1-M25 X 1.5	385	215	180	250	14.5	4.0

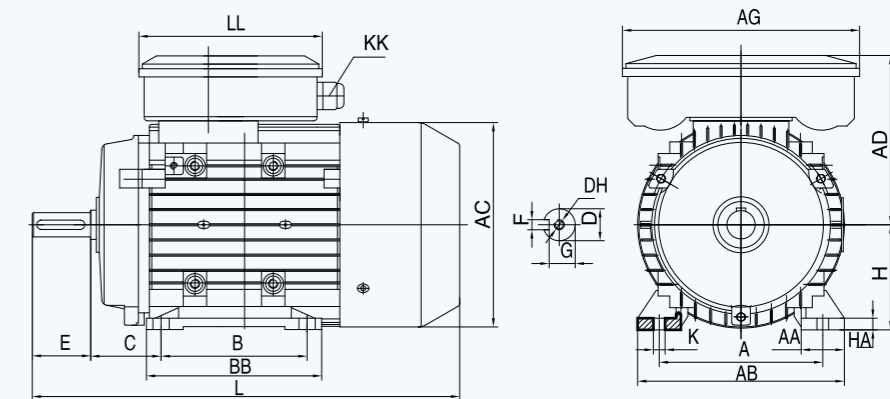
MOUNTING AND OVERALL DIMENSIONS

JLY single phase motors with running capacitors

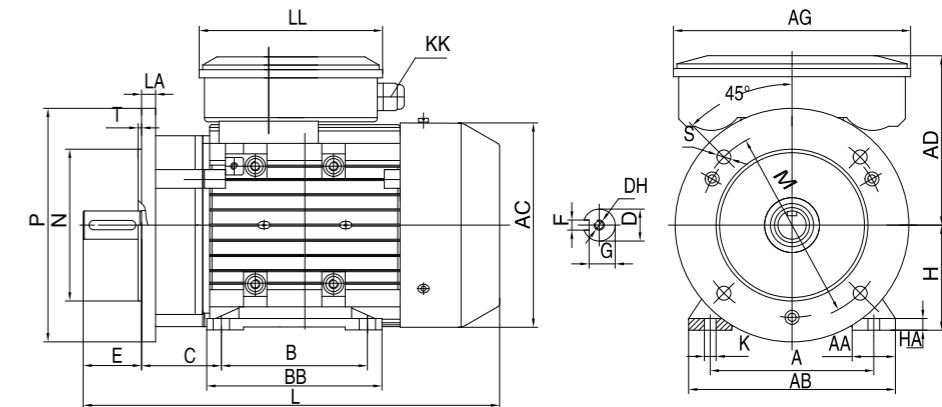
JLC single phase motors with starting capacitors

JLL single phase motors with double capacitors

**JLY/JLC/JLL
IM B3**



**JLY/JLC/JLL
IM B35**



**JLY/JLC/JLL
IM B5/V1**

