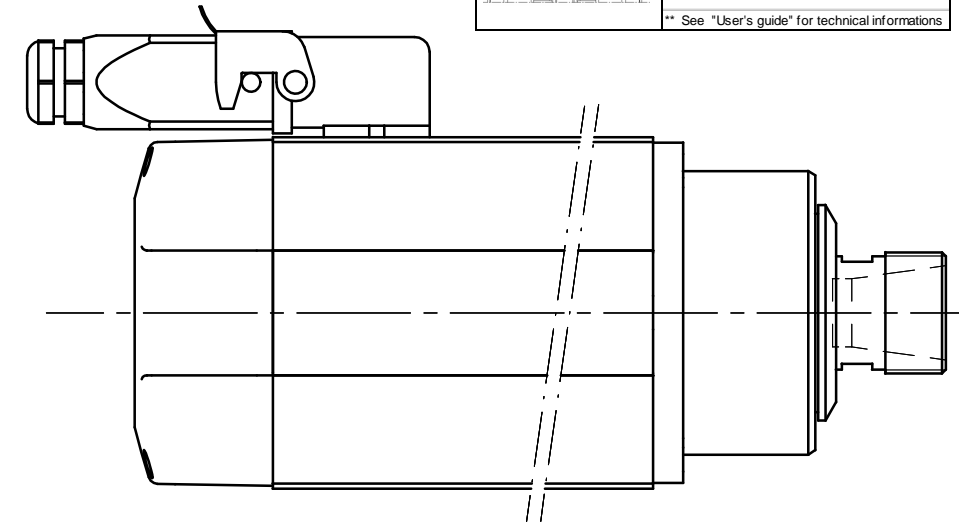
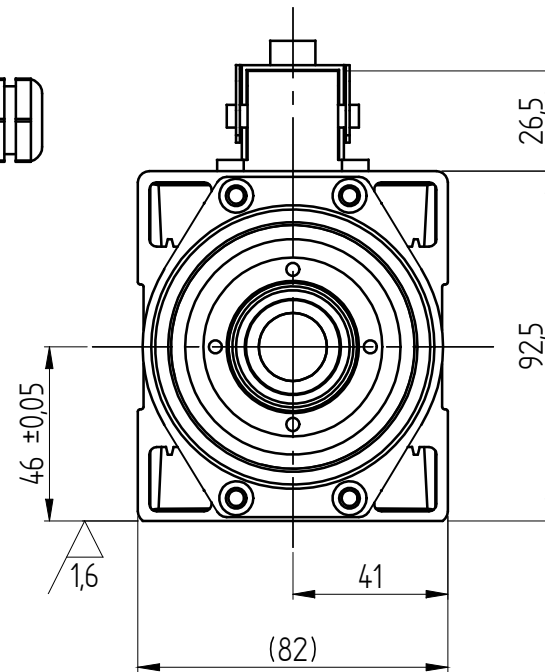
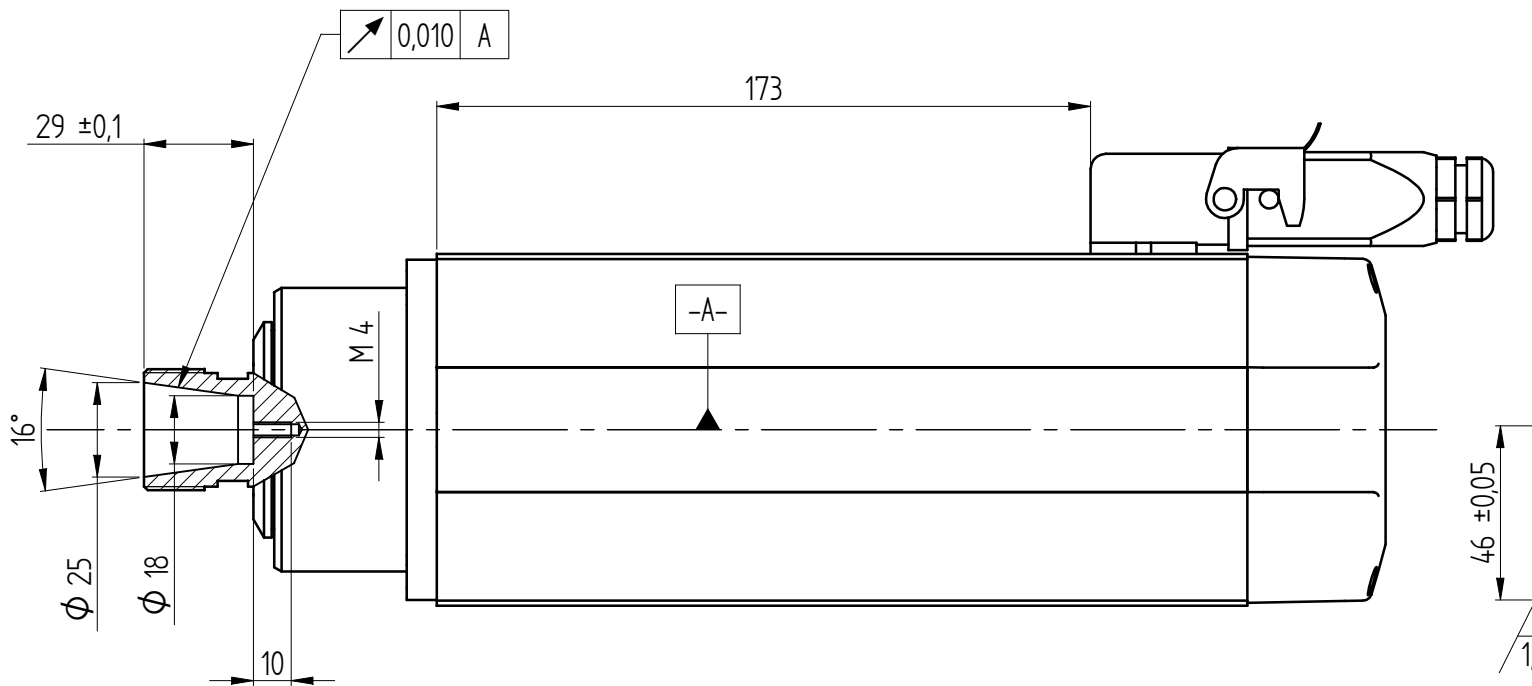


COLLET ER25
DIN 6499-C32

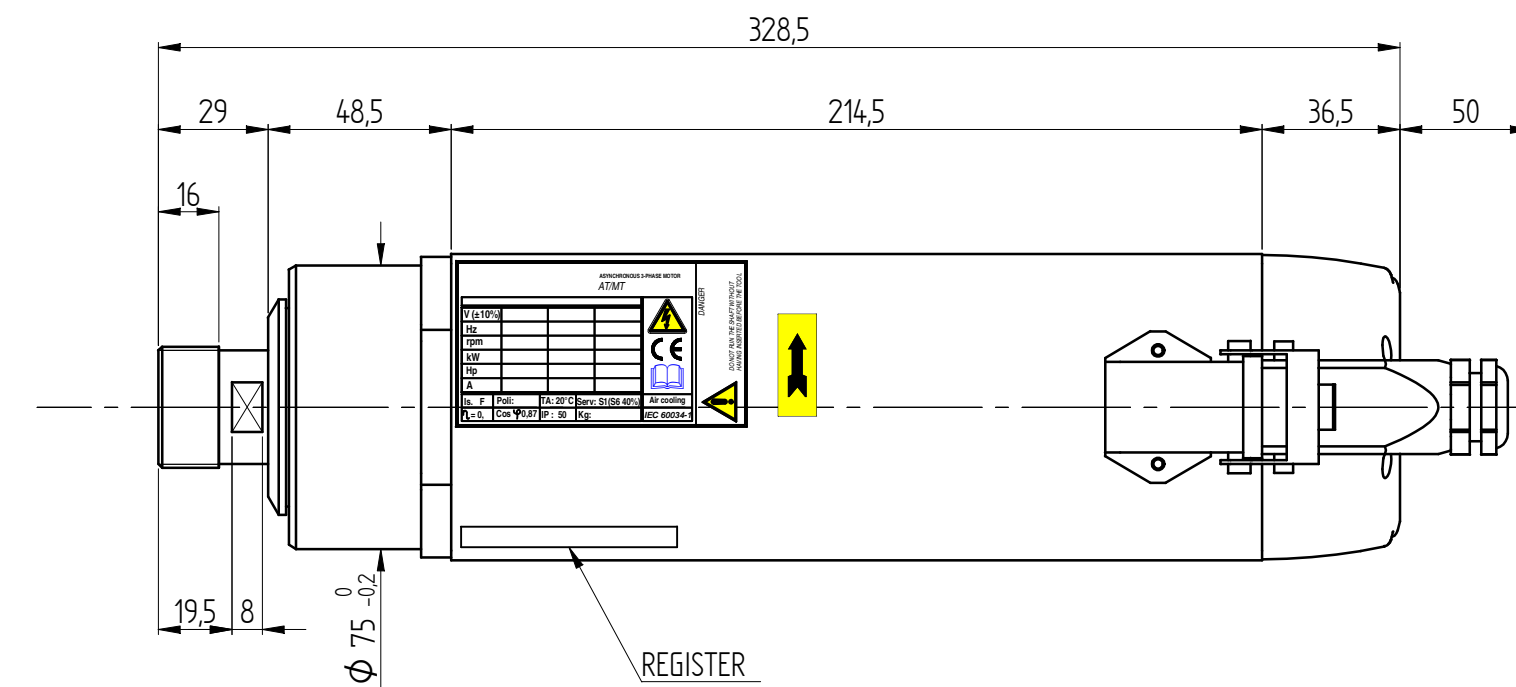
M6-6H per n°4 threaded holes
thread = 6 mm
hole = 8mm
sm.0,5

PERFORMANCES AND MOTOR RATINGS		
Voltage	V ±10%	380
Output Power	kW	3 (3,6)
Current	A	7,7 (9,3)
Frequency	Hz	300
rpm	rpm	18000
Torque	Nm	1,59 (1,91)
Front Bearing		angular contact bearings
Post. Bearing		radial
Efficiency		0,75
Power factor	cos φ	0,774
Poles		2
Service type		S1 (S6 40%)
Insulation class		F
Cooling		forced air
Weight	kg	8
Type of Protection	IP	50



ELECTRIC CONNECTIONS	
Nr. Pin	Description
1	U Motor phase
2	V Motor phase
3	W Motor phase
4	** Bimetallo / Bi-metallic
5	** Bimetallo / Bi-metallic
⊕	Earth connection

** See "User's guide" for technical informations



ASINCRONOUS 3-PHASE MOTOR	
V (±10%)	
Hz	
rpm	
kW	
HP	
IP	
Ins. F	FA: 20°C Serv. S1/S6 40%
λ=0	Com. φ=0,87 IP: 50 K _g

DATA				
FIRMA				

ELEKTROMOTOREN.DE
World in Motion

SCALE: 1:2

DATA: 22768-1f FIRMA: 22768-2H

REVISION: 2

A3

Y6162Y0013

F029_A#13261_Y6162Y0013_HM073B-120 P-00 ER25 380V 3,0KW 18/18000